

RECESSED DOWNLIGHT COMPACT FLUORESCENT SPOTS TYPES “ABH, ABHG & ABH.MG”

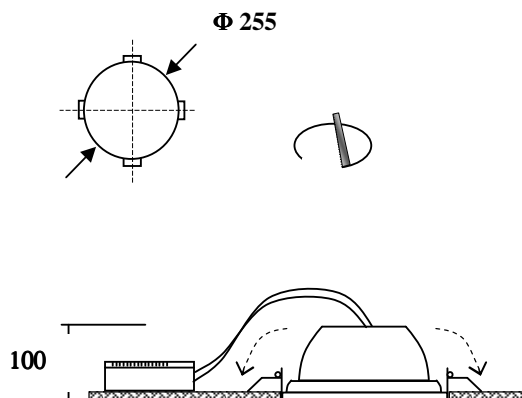


GENERAL DESCRIPTION

- Frame is made of die cast aluminum and painted electrostatically.
- Anodized aluminum reflector.
- Separate Switchgear compartment.
- Lamps: up to 2x26w compact fluorescent lamps.
: up to 1x150w double ended metal halide lamp (with thermal glass).

SPOTLIGHT ORDER TYPE & DIMENSIONS

- Down light without glass diffuser type : “ABH”.
- Down light with glass diffuser type : “ABHG”.
- Down light with thermal glass diffuser type: “ABH.MG”.



TYPE			LAMP
Without glass	With glass	With thermal glass	
ABH 118 CF	ABHG 118 CF		1x18w CF
ABH 218 CF	ABHG 218 CF		2x18w CF
ABH 126 CF	ABHG 126 CF		1x26w CF
ABH 226 CF	ABHG 226 CF		2x26w CF
		ABH.MG 170 MH	1x70w MH
		ABH.MG 1150 MH	1x150w MH